

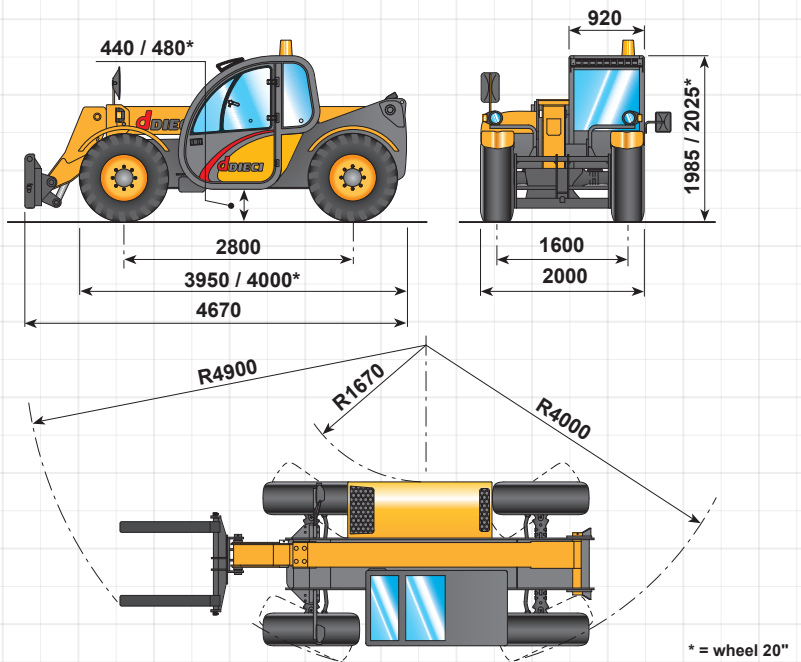
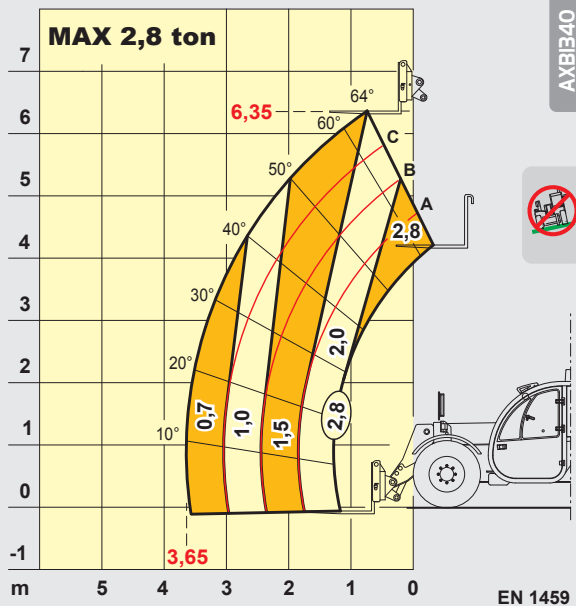
# Dedalus

28.7



*macchine edili ed agricole*  
S.r.l.  
**d DIECI**

# Dedalus 28.7



## PERFORMANCES

Maximum capacity:	2.800 kg
Capacity at maximum height on tyres:	2.000 kg
Maximum capacity boom on tyres:	700 kg
Maximum lifting height on tyres:	6,35 m
Maximum horizontal boom extension:	3,65 m
Boom at maximum height:	0,80 m
Angle of fork arching:	130°
Tearing force:	5.700 daN
Towing force:	7.300 daN
Maximum slope for overtaking:	40 %
Total empty weight:	6.000 kg
Max speed:	40 km/h



## TRANSMISSION

Transmission: hydrostatic with variable capacity pump  
 Hydraulic engine: with automatic change  
 Gear reversing: electro - hydraulic  
 Inching pedal for controlled forward movement.  
 2 speed power steering.



## HYDRAULIC CIRCUIT

Gear pump with capacity at speed: 88 lt/1'  
 Max working pressure: 230 bar  
 Distributor controls with joystick: 3 in 1



## DIFFERENTIAL AXLES

Steering axles: 2, with epicycloidal reduction gears  
 Type of steering: 4 wheels / transversal / 2 wheels  
 Front axle: rigid  
 Rear axle: oscillating  
 Service braking: oil bath on the front axle  
 Parking brake: actuated negatively



## ENGINE

ENGINE IVECO NEF F4GE0404A - NA - 60 kW  
 Maximum power: 60 kW (82 hp) at 2300 rpm  
 Operating principle: four-stroke engine, diesel  
 Cylinders number and layout: 4, vertical in line  
 Displacement: 4485 cm<sup>3</sup> - aspirated  
 Cooling system: liquid

ENGINE IVECO NEF F4GE0454A - TC - 74 kW  
 Maximum power: 74 kW (102 hp) at 2300 rpm  
 Operating: four-stroke engine, diesel  
 Cylinders number and layout: 4, vertical in line  
 Displacement: 4485 cm<sup>3</sup> - Turbo compressor  
 Cooling system: liquid



## REFUELLING (litre)

Hydraulic circuit: 130  
 Fuel tank: 60



## STANDARD DEVICES

Anti-tipping device with block for hazardous movements.  
 Closed soundproof homologated cab ROPS - FOPS, with heating.  
 Hydraulic socket for possible accessories on boom head.  
 Front self-locking axle (limited slip 45%).



## TYRES

Tyres: 12,5x18"  
 Alternative: 405/70x20"



## OPTIONAL AND ACCESSORIES

Optional and Accessories: see the relevant catalogue

The information contained in the present publication are only intended as an indication; the models described may be modified, without notice, by the manufacturer, drawings and photographs may refer to optional equipment or to particular specifications for other countries. For any further information, please contact DIECI headquarters at the address given below.

(Cod. AXE3073 - 06/2004 v2 - ING)

DIECI S.r.l.  
 Via E. Majorana, 2/4 - 42027 Montecchio Emilia (RE)  
 Tel. +39 0522 869611 - Fax +39 0522 869744  
 www.dieci.com - mailbox@dieci.com

macchine edili ed agricole  
**d DIECI**  
 S.r.l.