

CROWN

PC 4500 SERIES

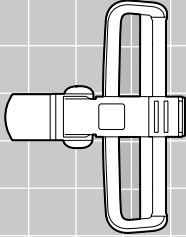
Profile Sheet

Center Control Pallet Truck

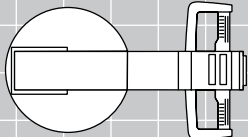


PC 4500 Series

Manual Steering Option

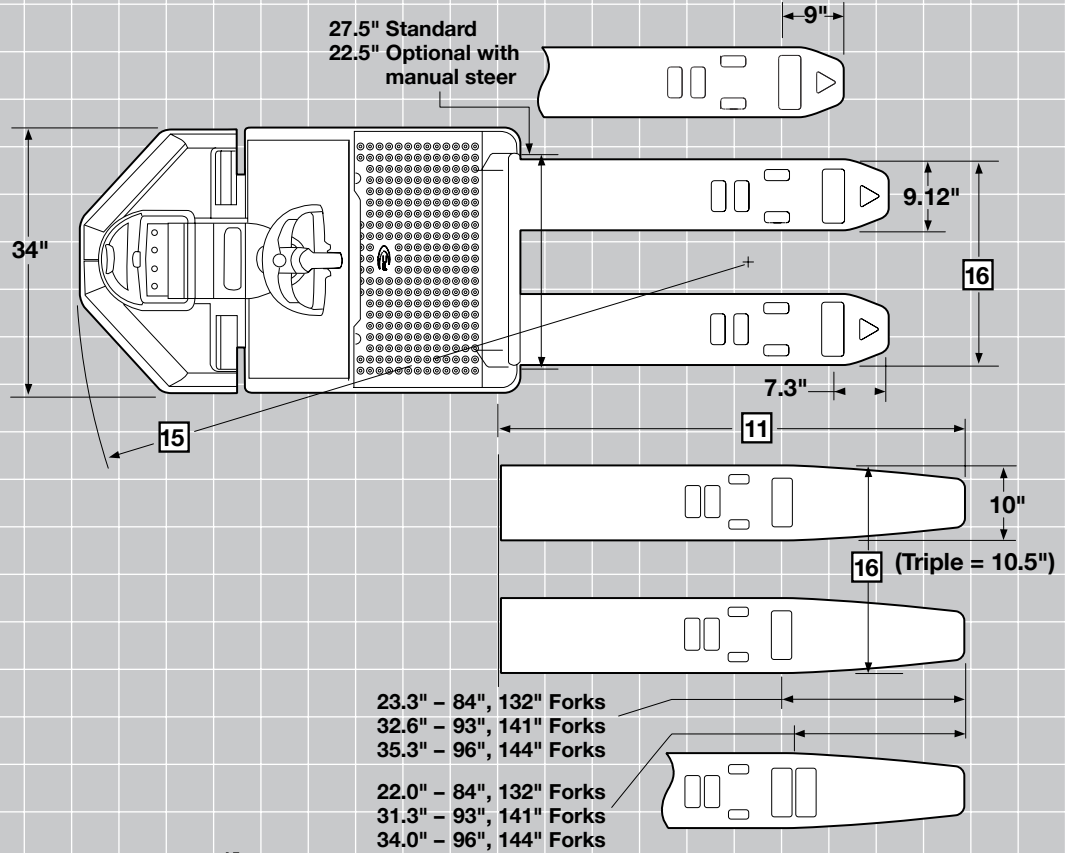


T-handle

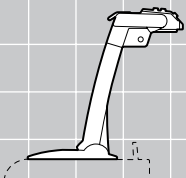


Tiller-style handle

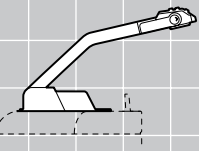
Electronic Power Steering Standard



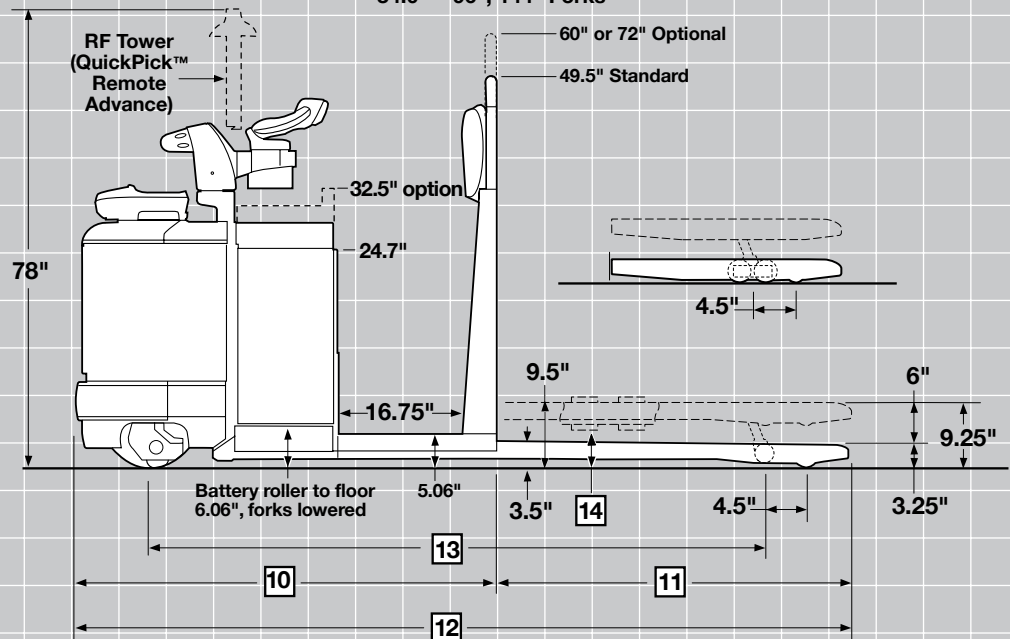
Manual Steering Option



T-handle



Tiller-style handle



PC 4500 Series

| | | | | |
|---------------|----|----------------------------|--------------|------------------------------------|
| General Info | 1 | Manufacturer | | Crown Equipment Corporation |
| | 2 | Model | | PC 4500 |
| | 3 | Load Capacity | lb | 6000/8000 |
| | 4 | Power | Electric | 24 Volts |
| | 5 | Operator Type | Stand-up | Ride |
| Dimensions | 8 | Lift Height | in | 9.25 |
| | 9 | Lift | in | 6 |
| | 10 | Head Length | in | 57.31 |
| | 16 | Outside Fork Spread | Standard Tip | in |
| Extended Tip* | | | in | 23/28 |
| Battery | 11 | Min/Max Weight | lb | 975/1500 |
| | | Max Amp | amp | 750 |
| | | Max Battery Size WxLxH | in | 13.9 x 31.12 x 31.62 |

* Add .5" for triple length forks

| PC 4500 Series | | Standard-Tip Forks | | | | | | | | |
|----------------|---------|---------------------------------------|--------------|-------|-------|--------|--------|--------|--------|--------|
| Forks | | Nominal Fork Length | in | 36 | 42 | 48 | 54 | 60 | 96 | |
| | 11 | Actual Fork Length | in | 35.75 | 41.75 | 47.75 | 53.75 | 59.75 | 95.75 | |
| | 12 | Overall Length | in | 93.06 | 99.06 | 105.06 | 111.06 | 117.06 | 153.06 | |
| | 13 | Wheelbase | Forks Raised | in | 71.25 | 77.25 | 83.25 | 89.25 | 95.25 | 133.25 |
| | 14 | Grade Clearance | % | 25 | 23 | 21 | 20 | 19 | 13 | |
| | 15 | Turning Radius | Forks Raised | in | 81.40 | 87.40 | 93.40 | 99.40 | 105.40 | 143.30 |
| | 7 | Truck Weight** w/o battery | 6000 lb | lb | 1975 | 1991 | 2007 | 2023 | 2039 | 2189 |
| | 8000 lb | | lb | 1994 | 2018 | 2042 | 2066 | 2090 | 2254 | |

| PC 4500 Series | | Extended-Tip Forks | | | | | | | | |
|----------------|---------|---------------------------------------|--------------|--------|--------|--------|--------|--------|--------|--------|
| Forks | | Nominal Fork Length | in | 84 | 93 | 96 | 132 | 141 | 144*** | |
| | 11 | Actual Fork Length | in | 83.75 | 93 | 95.75 | 131.75 | 141.00 | 143.75 | |
| | 12 | Overall Length | in | 141.06 | 150.31 | 153.06 | 189.06 | 198.31 | 201.06 | |
| | 13 | Wheelbase | Forks Raised | in | 103.25 | 103.25 | 103.25 | 151.25 | 151.25 | 151.25 |
| | 14 | Grade Clearance | % | 17 | 17 | 17 | 12 | 12 | 12 | |
| | 15 | Turning Radius | Forks Raised | in | 113.40 | 113.40 | 113.40 | 161.40 | 161.40 | 161.40 |
| | 7 | Truck Weight** w/o battery | 6000 lb | lb | 2172 | 2253 | 2268 | 2725 | 2806 | 2821 |
| | 8000 lb | | lb | 2232 | 2313 | 2328 | | | | |

** Subtract 80 lb from trucks weights above when ordering manual steering option

*** Configurations available with shorter wheelbase and turning radius.

| Wheels and Tires | | PC 4500-60 and PC 4500-80 | |
|------------------|--|---------------------------|-----------------------|
| | Model | | |
| | Drive Tire | in | 13 x 4.5 x 8 Poly |
| | Casters | in | 2 - 4 x 2.5 Poly |
| | Load Wheels | in | 2 - 3.25 x 6.5 (-302) |
| | -301 Moderate cut/tear resistance, high capacity. High capacity transport. Not for dock use. | | |
| | -302 Highest cut/tear resistance offered. Extremely high capacity, low rolling resistance. Docks, rough floors and floor debris. | | |
| | -401 Combines good cut/tear resistance and very high capacity. Use where nothing else works. | | |



Crown Equipment Corporation
New Bremen, Ohio 45869 USA
Tel 419-629-2311
Fax 419-629-3796
crown.com

You can count on Crown to build lift trucks designed for safe operation, but that's only part of the safety equation. Crown encourages safe operating practices through ongoing operator training, safety-focused supervision, maintenance and a safe working environment. Go to crown.com and view our safety section to learn more.

Because Crown is continually improving its products, specifications are subject to change without notice.

Crown, the Crown logo, the color beige, the Momentum symbol and QuickPick are trademarks of Crown Equipment Corporation.

Copyright 2011-2012 Crown Equipment Corporation
SF18477 Rev. 01/12
Printed in U.S.A.