

CROWN

WD 2300S

Series



Built for the task.



THE X10 HANDLE™

Crown's versatile WD 2300S Series offers an ideal lift truck for high density, stock-to-dock applications - combining the capability of a stacker, the flexibility of a pallet truck, and the capacity to transport or stack two 1000 kg pallets.

Both the mast and fork carriage designs have been optimised to provide maximum visibility and secure load handling. The forks can lift a 1000 kg load up to 2100 mm while the elevating outriggers carry an additional 1000 kg load (or 2000 kg with forks lowered). The elevating outriggers also provide increased ground clearance for traversing dock boards and slopes.

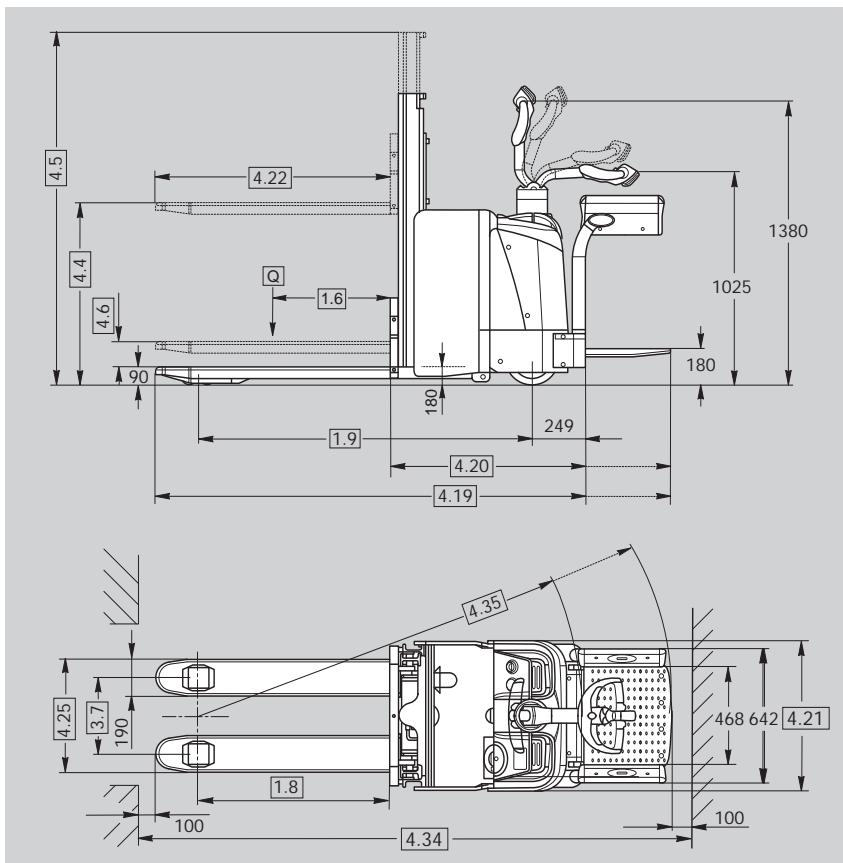
Crown's award winning X10™ handle brings all controls within fingertip reach. Tactile and visual differentiation enhances control recognition to further improve operator productivity.



A compact power unit provides a high degree of manoeuvrability in congested stockrooms and busy loading docks. The narrow overall width allows for easy block stacking and wall-to-wall loading of lorries and trailers.

An advanced SEM traction control system provides smooth acceleration, and regenerative braking. Travel speeds are nearly constant whether driving up or down an incline and regardless of loading. A ramp hold feature minimises the possibility of unintended reverse travel when brakes are released on an incline. Automatic load/height sensing regulates maximum travel speeds.

The fold-down platform with folding side restraints gives the operator the option of pedestrian operation in congested areas or ride-on operation for more intensive applications with longer travel distances.



Electrical System

24 V electrical system with nominal battery capacity to 360 Ah.

Standard Equipment

1. SEM traction control
2. Rabbit/Turtle switch
3. Emergency disconnect
4. Key switch
5. Horn
6. Two-stage brake, spring applied, electro-magnetically released
7. Suspended floorboard
8. Cushioned side restraints
9. Vulkollan drive tyre, castor wheels and load wheels
10. Tandem load wheels
11. Auto reverse safety switch active in walkie mode
12. Combi instrument (hour meter, BDI with lift lock out)
13. Battery roll-out
14. SBE 160 red connector

Optional Equipment

1. Battery connector (DIN 160A)
2. Freezer conditioning
3. Diagnostic handset

Safety Regulations

Conforms to European safety standards. Dimensions and performance data given may vary due to manufacturing tolerances. Performance is based upon an average size vehicle and is affected by weight, condition of truck, how it is equipped and the conditions of the operating area. Crown products and specifications are subject to change without notice.

1.2	Model			WD 2300S
1.3	Power			electric
1.4	Operator Type			pedestrian / rider
1.5	Load Capacity	t		2.0
1.6	Load Centre	mm		600
1.8	Load Distance	lowered	mm	938
1.9	Wheel Base	lowered	mm	1654
2.1	Weight	less battery	kg	852 870
2.4	Axle Load	with load** front/rear	kg	1040 2114
2.5	Axle Load	w.o. load front/rear	kg	852 298
3.1	Tyre Type			Vulkollan
3.2	Wheel Size	front	mm	Ø 230 x 70
3.3	Wheel Size	rear	mm	Ø 82 x 82
3.4	Additional Wheels	castor wheels	mm	Ø 125 x 50
3.5	Wheels	no. (x=driven) front/rear		1x + 2/4
3.7	Truck Width	rear	mm	370
4.2	Mast	collapsed height	mm	1229 1429
4.4	Lift Height		mm	1700 2100
4.5	Mast	extended height	mm	2050 2450
4.6	Initial Lift		mm	130
4.15	Fork Height	lowered	mm	90
4.19	Overall Length *		mm	2105 / 2525
4.20	Headlength *		mm	955 / 1375
4.21	Overall Width		mm	712
4.22	Fork Dimensions		mm	190 x 60 x 1150
4.24	Fork Carriage Width		mm	670
4.25	Width Across Forks		mm	560
4.32	Ground Clearance	centre wheelbase	mm	32
4.34	Working Aisle Width *	800 x 1200 length	mm	2394 / 2788
4.35	Turning Radius *	lowered	mm	1916 / 2310
5.1	Travel Speed *	w./w.o. load	km/h	5.6 / 6 / 5.6 / 8.5
5.2	Lift Speed	w./w.o. load	m/s	0.11 / 0.18
5.3	Lowering Speed	w./w.o. load	m/s	0.2 / 0.2
5.7	Max. Gradeability	w./w.o. load	%	6 / 15
5.10	Service Brake			electromagnetic
6.1	Traction Motor	60 min. rating	kW	1.5
6.2	Lift Motor	10% ED	kW	2.2
6.3	Max. Battery Box Size		mm	284 x 624 x 627
6.4	Battery Voltage	nom. capacity 5h rating	V/Ah	24/300 (L) 360 (H)
6.5	Battery Weight	nominal +5%	kg	288
8.1	Type of Controller	drive		transistor

Lift Height and Load

	Lift control	Lift Height mm	Max. Load kg
Load on Outriggers only 	Outrigger Lift	220	1000
Load on Forks only 	Outrigger Lift	220	2000
	Mast Lift	1570	1000
Load on Outriggers & Forks 	Mast Lift	2100 ⁽¹⁾	800
	Outrigger Lift	220	1000
Load on Outriggers & Forks 	Mast Lift	1570	1000
	Outrigger Lift	220	1000
Load on Outriggers & Forks 	Mast Lift	1700 ⁽²⁾	800
	Outrigger Lift	220	1000

⁽¹⁾ Lift stops automatically at 1700 mm (release and press lift for additional lift height).

⁽²⁾ Outriggers lower automatically above 1700 mm.

* Platform in up position / Platform in down position

** with 2000 kg load

Crown
European Headquarters
Moosacher Strasse 52
80809 Munich
Germany
Tel +49(0)89-93002-0
Fax +49(0)89-93002-133

German Locations:
Hamburg
Berlin
Hanover
Cologne
Dortmund
Frankfurt
Stuttgart
Nuremberg
Munich

Crown Lift Trucks Ltd.
Locations in United Kingdom:

Sunbury, Surrey TW16 7EF
Tel +44(0)845-8509276
Fax +44(0)845-8509277

Warrington, Cheshire WA2 8TS
Tel +44(0)845-8509280
Fax +44(0)845-8509281

Almondsbury, Bristol BS32 4RX
Tel +44(0)845-8509268
Fax +44(0)845-8509269

Swindon, Wiltshire SN3 4TS
Tel +44(0)845-8509270
Fax +44(0)845-8509271

Bellshill, Lanarkshire ML4 3LX
Tel +44(0)845-8509265
Fax +44(0)845-8509266

Crown Handling NV
Satenrozen 12
2550 Kontich
Belgium
Tel +32(0)3-4507171
Fax +32(0)3-4507181

Crown Intern Transport BV
Damsluisweg 75
1332 EB Almere
Netherlands
Tel +31(0)36-5494180
Fax +31(0)36-5494276



www.crown.com

Because Crown is continually improving its products, specifications are subject to change without notice.

Crown, the colour beige, the Momentum symbol, X10, The X10 Handle, the stylised X10 logo, Access 1 2 3 *, InfoPoint and Work Assist are trademarks of Crown Equipment Corporation.

Copyright 2005 Crown Equipment Corporation
WD 2300S BROCH GB 05/06, 30 – M01383-006-02
Printed in Germany