

MSI 20/25/30/35 T MSI 20/25/30 G



Load capacity

at 500 mm load centre

| | |
|-----------------|---------|
| MSI 20 T/G..... | 2000 kg |
| MSI 25 T/G..... | 2500 kg |
| MSI 30 T/G..... | 3000 kg |
| MSI 35 T..... | 3500 kg |



Standard lifting height3.30 m



Tyres

Front.....275/70 R 22,5
Rear7.00 x 12



Forks (mm)

Length.....1100
Width x thickness100 x 45
Maximum space between forks1260



Hydraulic brakes



Perkins Turbo engine

Typ404 C 22T
Capacity4 cylindres 2216 cm³
Power (ISO TR 14396).....60 cv/44.7 kw
Maximum torque.....190 Nm at 1800 t/mn

Toyota LPG engine

MSI 20 G/25 G/30 G.....Type: 4 Y
Capacity4 cylindres 2237 cm³
Power (ISO TR 14396).....53 HP/39 kw
Maximum torque.....162 Nm at 1800 r.p.m.
Direct injection
Water cooling



HYDROSTATIC REXROTH Transmission

Wheel drive2
Electro-magnetic reversing shift
Speeds forward/reverse1/1
Maximum travel speed.....20 km/h



Hydraulic system

Steering pump125 bars/79 l/mn



Capacities

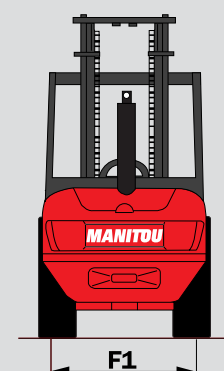
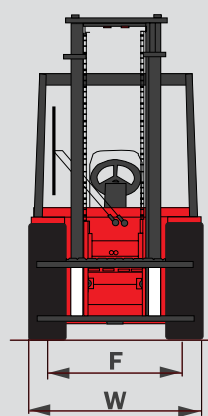
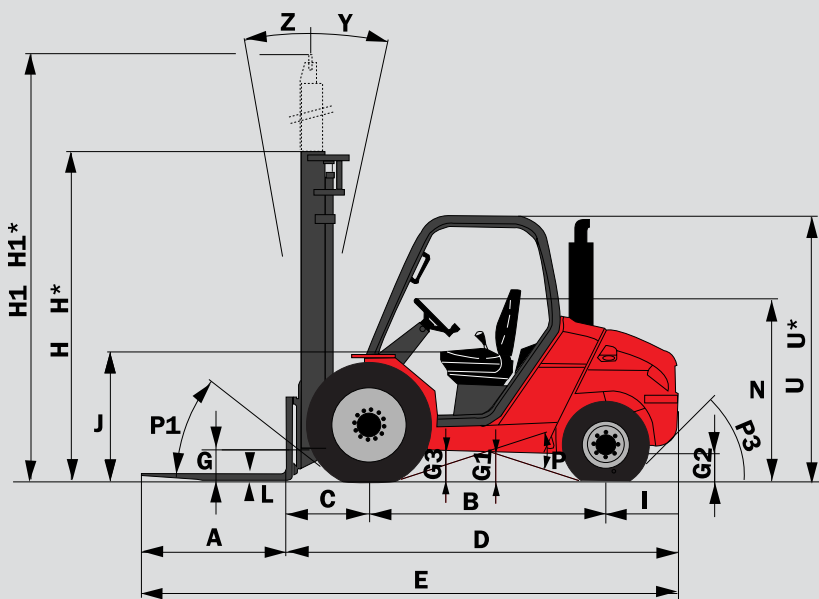
Cooling system10.5 l.
Engine oil.....9.75 l.
Hydrostatic transmission.....95 l.
Fuel tank73.5 l.



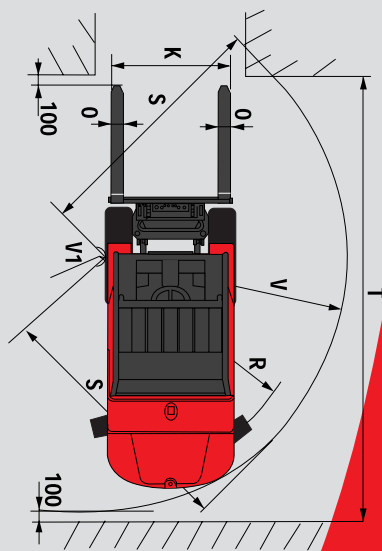
Weight (with forks)

MSI 20/25/30/35 T3840/4150/4530/4980 kg
MSI 20/25/30 G.....3470/4045/4425 kg

Overall width1.32 m
Overall height (mast lowered)2.30 m
Overall length4.04/4.04/4.08/4.13 m
Ground clearance215 mm



| | MSI 20 T/G +BUGGIE | MSI 25 T/G +BUGGIE | MSI 30 T/G +BUGGIE | MSI 35 T +BUGGIE |
|-----|-----------------------|-----------------------|-----------------------|---------------------|
| A | 1100 | 1100 | 1100 | 1100 |
| B | 1800 | 1800 | 1800 | 1800 |
| C | 625 | 625 | 630 | 630 |
| D | 2945 | 2945 | 2980 | 3030 |
| E | 4045 | 4045 | 4080 | 4130 |
| F | 1046 | 1046 | 1046 | 1046 |
| F1 | 1102 | 1102 | 1102 | 1102 |
| G | 270 | 270 | 270 | 270 |
| G* | 240 | 240 | 240 | 240 |
| G1 | 260 | 260 | 260 | 260 |
| G1* | 260 | 260 | 260 | 260 |
| G2 | 215 | 215 | 215 | 215 |
| G2* | 230 | 230 | 230 | 230 |
| G3 | 270 | 270 | 270 | 270 |
| H | 2300 | 2300 | 2300 | 2300 |
| H* | 1950 | 1950 | 2050 | 2050 |
| H1 | 4131 | 4131 | 4193 | 4193 |
| H1* | 4470 | 4470 | 4500 | 4500 |
| I | 520 | 520 | 550 | 600 |
| J | 1025 | 1025 | 1025 | 1025 |
| K | 1260 | 1260 | 1260 | 1260 |
| L | 40 | 40 | 45 | 45 |
| N | 1450 | 1450 | 1450 | 1450 |
| O | 100 | 100 | 100 | 125 |
| P1 | 49,5° | 49,5° | 49,5° | 49,5° |
| P2 | 40,5° | 40,5° | 40,5° | 49,5° |
| P3 | 44° | 44° | 40° | 40° |
| R | 2310 | 2310 | 2310 | 2330 |
| S | 2545 | 2545 | 2580 | 2590 |
| T | 4525 | 4525 | 4560 | 4595 |
| U | 2105 | 2105 | 2105 | 2105 |
| U* | 1990 | 1990 | 1990 | 1990 |
| V | 2600 | 2600 | 2635 | 2665 |
| V1 | 150 | 150 | 150 | 100 |
| W | 1323 | 1323 | 1323 | 1323 |
| Y | 12° | 12° | 12° | 12° |
| Z | 10° | 10° | 10° | 10° |



This equipment described in this leaflet may be standard, optional, or unavailable, depending on the versions. For more details, contact your MANITOU dealer.

H - H1 - R = Standard
H*-(Triplex 3,70 m) H1* = Option

U* = MSI 20/25 BUGGIE
G* - G1* - G2* = loaded



MANITOU BF SA

B.P. 249 - 44158 Ancenis Cedex - France
Tél. : 33 2 40 09 10 11 / Export Department Fax : 33 2 40 09 10 97
www.manitou.com

700314EN

