

3.5ton ▶ **5.0ton**
at 600mm Load Center

NISSAN
FORKLIFT

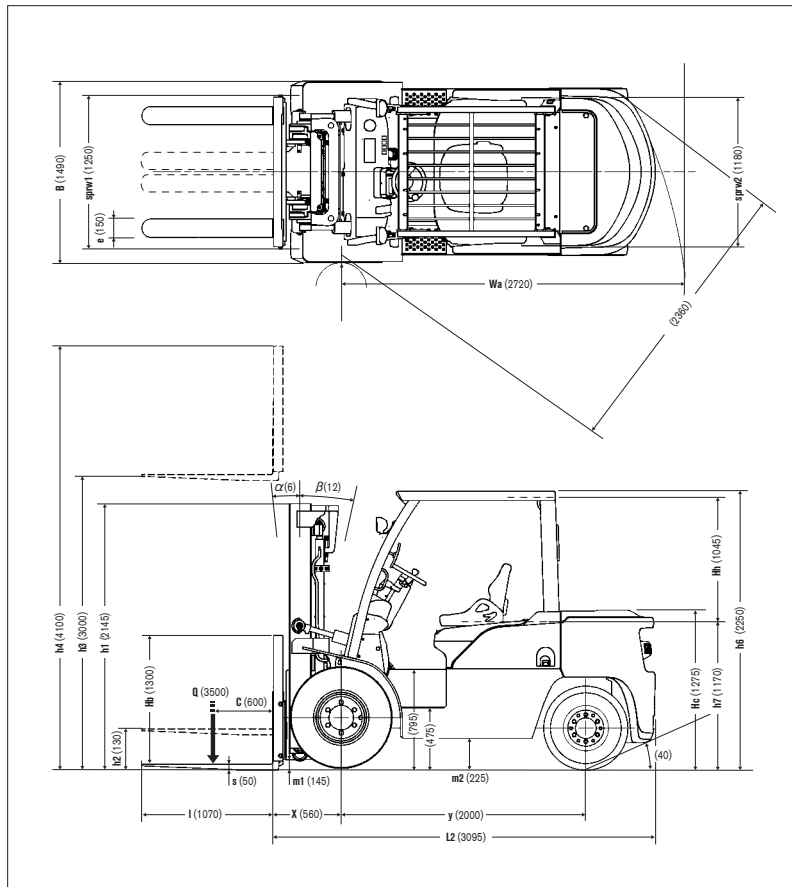
1F4 Series

Pneumatic Tire / Engine-powered Models **3.5-5.0 ton**

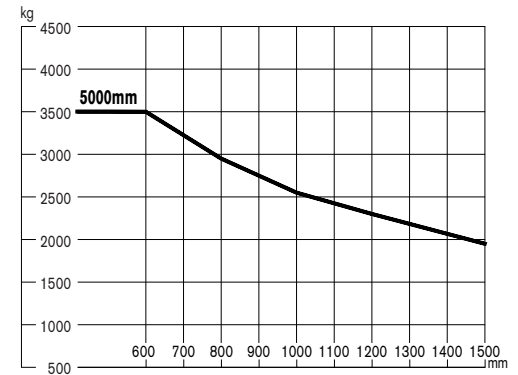


1F4 3.5ton

Dimensions



Load Capacity Chart



No capacity reduction until 5000 mm height. Load capacities are computed with following conditions, a) Standard 2W Mast and b) Mast in vertical position.

Tire and Tread Specifications

Front Tire	Single	Double	Special double
Front Tire Size	8.25-15-12PR(I)	7.50-16-12PR(I)	8.25-15-12PR(I)
Overall Width mm	1490	1775	1970
Front Tread mm	1250	1310	1445

Ground Clearance

Under mast	mm	145
Under power unit	mm	170
Under frame	mm	225

Mast Specifications & Rated Capacities

W1F4A35U, W1F4F35U, J1F4A35DU, J1F4F35DU, J1F4A35LU, J1F4F35LU

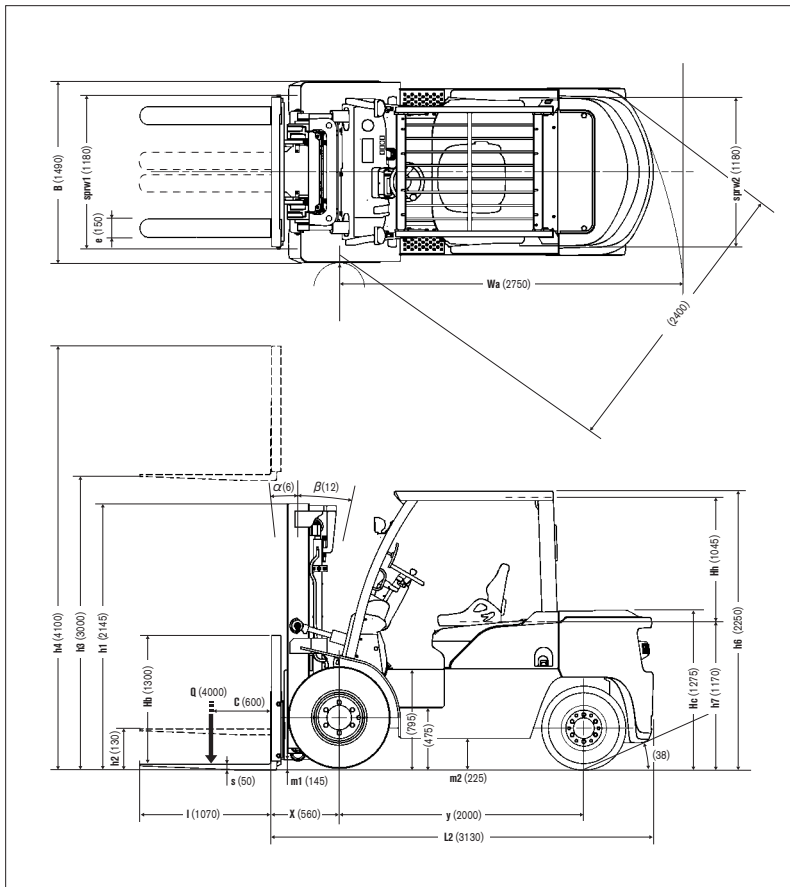
Mast type	Mast name	Max. fork Height mm	Overall height			Free lift		Front overhang mm	Tilt angle Forward/ Backward deg	Capacity	
			Fully lowered mm	Without backrest mm	Fully extended With STD backrest mm	Without backrest mm	With STD backrest mm			Single tire Load center 600mm kg	Double tire Load center 600mm kg
Two stage (Wide view 2W)	2W300	3000	2145	3835	4100	130	130	560	6/12	3500	
	2W330	3300	2295	4135	4400				6/12	3500	
	2W350	3500	2430	4335	4600				6/12	3500	
	2W370	3700	2545	4535	4800				6/12	3500	
	2W400	4000	2745	4835	5100				6/12	3500	
	2W450	4500	2995	5335	5600				6/6	3500	
	2W500	5000	3245	5835	6100				6/6	3500	
Three stage (Full free 3F)	3F385	3850	1995	4725	4950	1175	950	575	6/6	3500	
	3F430	4300	2145	5175	5400	1325	1100		6/6	3500	
	3F475	4750	2295	5625	5850	1475	1250		6/6	3500	
	3F515	5150	2430	6025	6250	1615	1385		6/6	3300	3500
	3F550	5500	2545	6375	6600	1725	1500		6/6	2400	3300
	3F600	6000	2745	6875	7100	1925	1700		6/6	1800	3200
	3F650	6500	2995	7375	7600	2175	1950		6/6	1400	2800
	3F700	7000	3245	7875	8100	2425	2200		6/6	1000	2100

Main Truck Specifications

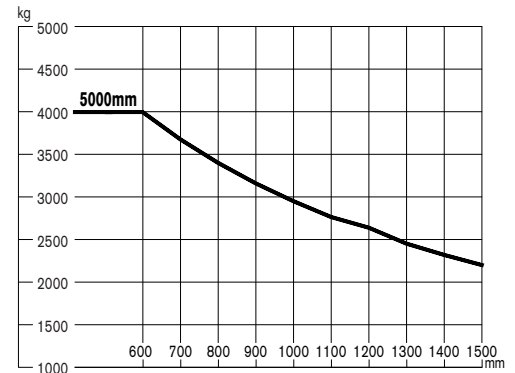
		Item			W1F4A35U	W1F4F35U	J1F4A35DU/LU	J1F4F35DU/LU		
SPECIFICATIONS	1	Manufacturer			Nissan	Nissan	Nissan	Nissan	1	
	2	Model			W1F4A35U	W1F4F35U	J1F4A35DU/LU	J1F4F35DU/LU	2	
	3	Load capacity	Q Load lifted	kg	3500	3500	3500	3500	3	
	4	Load center	C Distance	mm	600	600	600	600	4	
	5	Power unit	Battery, diesel, Gasoline, LP gas		Diesel	Diesel	Gasoline · LPG / LPG	Gasoline · LPG / LPG	5	
	6	Operator type	Walkie, rider / stand, rider / seat		Rider / seat	Rider / seat	Rider / seat	Rider / seat	6	
	7	Tire type	front / rear		Pneumatic	Pneumatic	Pneumatic	Pneumatic	7	
	8	Wheels (x=driven)	Number	front / rear	2x / 2	2x / 2	2x / 2	2x / 2	8	
DIMENSIONS	9	Maximum fork height	h3 Standard lift height	mm	3000	3000	3000	3000	9	
	10	Free lift	h2 Standard free lift	mm	130	130	130	130	10	
	13	Fork size	s.e.l	mm	50x150x1070	50x150x1070	50x150x1070	50x150x1070	13	
		Max. Fork Spread		mm	1185	1185	1185	1185		
		Min. Fork Spread		mm	305	305	305	305		
	14	Tilt range	α / β Mast forward / backward		deg	6 / 12	6 / 12	6 / 12	6 / 12	14
	15	Overall measurement	L2	Length to fork face	mm	3095	3095	3095	3095	15
	16		B	Overall width	mm	1490	1490	1490	1490	16
	17		h1	Height mast fully lowered	mm	2145	2145	2145	2145	17
	18		h4	Height mast fully extended	mm	4100	4100	4100	4100	18
	19		h6	Height overhead guard	mm	2250	2250	2250	2250	19
	20		h7	Height of driver's seat	mm	1170	1170	1170	1170	20
	21	Turning radius (outside)	Wa		mm	2720	2720	2720	2720	21
	22	Load distance	X	From center of front axle	mm	560	560	560	560	22
23	Right angle stacking aisle	Ast pallets (L×W) 1200×800/1000×1200		mm	4680 / 4480	4680 / 4480	4680 / 4480	4680 / 4480	23	
PERFORMANCE	24	Speeds	Traveling	full load	km/h	18.0	23.5	18.0	22.0	24
	no load			km/h	19.5	24.5	18.0	22.0		
	Lifting		full load	mm/s	500	500	480	480	480	25
			no load	mm/s	520	520	480	480		
	Lowering		full load	mm/s	500	500	500	500	500	26
			no load	mm/s	500	500	500	500		
28	Max. drawbar pull	full load / no load 5min.		N	29350 / 23220	29350 / 23220	30500 / 26100	30500 / 26100	28	
29	Gradeability at 2km/h	full load / no load		$\tan\theta(\%)$	26 / -	26 / -	26 / -	26 / -	29	
30	Max. gradeability	full load / no load		$\tan\theta(\%)$	27/27	27/27	32/27	32/27	30	
WEIGHTS	32	Truck weight	no load		kg	5760	5790	5810	5840	32
	33	Weight distribution	full load		kg	8095 / 1165	8115 / 1175	8070 / 1240	8085 / 1255	33
			no load		kg	2565 / 3195	2585 / 3205	2540 / 3270	2555 / 3285	34
34		Number.	front / rear	each	2 / 2	2 / 2	2 / 2	2 / 2	35	
CHASSIS & WHEELS	36	Tires	Size-front			8.25-15-12PR(I)	8.25-15-12PR(I)	8.25-15-12PR(I)	8.25-15-12PR(I)	36
	Size-rear			7.00-12-12PR(I)	7.00-12-12PR(I)	7.00-12-12PR(I)	7.00-12-12PR(I)	37		
	38	Wheelbase	y		mm	2000	2000	2000	2000	38
39	Tread	sprw 1/sprw 2	front / rear	mm	1250 / 1180	1250 / 1180	1250 / 1180	1250 / 1180	39	
	Backrest height	Hb	top of backrest - upper of fork face	mm	1300	1300	1300	1300		
	Overhead guard clearance	Hh		mm	1045	1045	1045	1045		
	Counter weight height	Hc		mm	1275	1275	1275	1275		
40	Ground clearance	m1	Full load minimum mast	mm	145	145	145	145	40	
41		m2	Full load center of wheelbase	mm	225	225	225	225	41	
42	Service brake	Mechanical / hydraulic / electric / pneu			Hydraulic	Hydraulic	Hydraulic	Hydraulic	42	
43	Parking brake	Foot / hand / seat switch			Hand	Hand	Hand	Hand	43	
DRIVE LINE	45	Battery	Voltage / Capacity		V/AH	12 / 64	12 / 64	12 / 55	12 / 55	45
	49		manufacturer / type			NISSAN / TD42	NISSAN / TD42	NISSAN / TB45	NISSAN / TB45	49
	50	Internal Combustion engine	maximum engine rated power		KW	61	61	63.9	63.9	50
	51		rated rpm		rpm	2400	2400	2450	2450	51
	52		Number of cylinders / Displacement		/ cc	6 / 4169	6 / 4169	6 / 4478	6 / 4478	52
	55	Transmission	type			Automatic	Automatic	Automatic	Automatic	55
			speed			1 / 1	2 / 1	1 / 1	2 / 1	
57	Operating pressure	for attachment	(Side shift)	MPa	13.7	13.7	13.7	13.7	57	

1F4 4.0ton

Dimensions



Load Capacity Chart



Tire and Tread Specifications

Front Tire	Single	Double	Special double
Front Tire Size	300-15-18PR(I)	7.50-16-12PR(I)	8.25-15-12PR(I)
Overall Width mm	1490	1775	1970
Front Tread mm	1180	1310	1445

Ground Clearance

Under mast	mm	145
Under power unit	mm	170
Under frame	mm	225

Mast Specifications & Rated Capacities

W1F4A40U, W1F4F40U, J1F4A40DU, J1F4F40DU, J1F4A40LU, J1F4F40LU

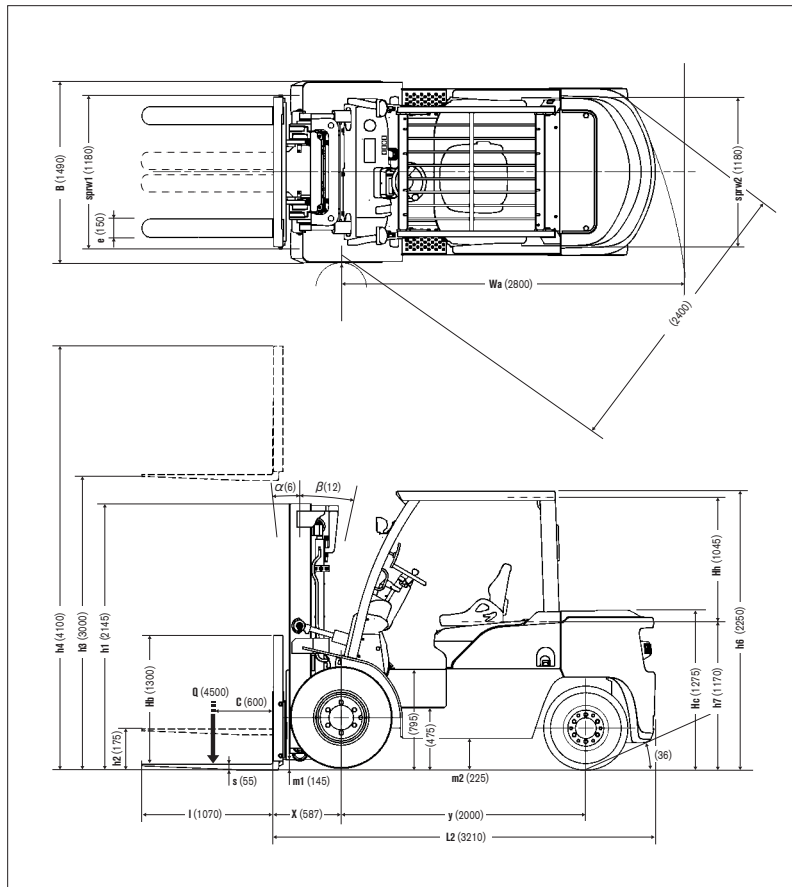
Mast type	Mast name	Max. fork Height mm	Overall height			Free lift		Front overhang mm	Tilt angle Forward/ Backward deg	Capacity	
			Fully lowered mm	Without backrest mm	With STD backrest mm	Without backrest mm	With STD backrest mm			Single tire Load center 600mm kg	Double tire Load center 600mm kg
Two stage (Wide view 2W)	2W300	3000	2145	3835	4100	130	130	560	6/12	4000	
	2W330	3300	2295	4135	4400				6/12	4000	
	2W350	3500	2430	4335	4600				6/12	4000	
	2W370	3700	2545	4535	4800				6/12	4000	
	2W400	4000	2745	4835	5100				6/12	4000	
	2W450	4500	2995	5335	5600				6/6	4000	
	2W500	5000	3245	5835	6100				6/6	4000	
Three stage (Full free 3F)	3F385	3850	1995	4725	4950	1175	950	575	6/6	4000	
	3F430	4300	2145	5175	5400	1325	1100		6/6	4000	
	3F475	4750	2295	5625	5850	1475	1250		6/6	4000	
	3F515	5150	2430	6025	6250	1615	1385		6/6	3800	3950
	3F550	5500	2545	6375	6600	1725	1500		6/6	3200	3800
	3F600	6000	2745	6875	7100	1925	1700		6/6	2400	3700
	3F650	6500	2995	7375	7600	2175	1950		6/6	1800	2800
	3F700	7000	3245	7875	8100	2425	2200		6/6	1300	2100

Main Truck Specifications

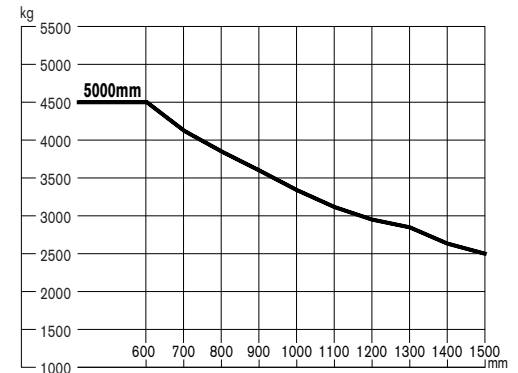
		Item			W1F4A40U	W1F4F40U	J1F4A40DU/LU	J1F4F40DU/LU		
SPECIFICATIONS	1	Manufacturer			Nissan	Nissan	Nissan	Nissan	1	
	2	Model			W1F4A40U	W1F4F40U	J1F4A40DU/LU	J1F4F40DU/LU	2	
	3	Load capacity	Q Load lifted	kg	4000	4000	4000	4000	3	
	4	Load center	C Distance	mm	600	600	600	600	4	
	5	Power unit	Battery, diesel, Gasoline, LP gas		Diesel	Diesel	Gasoline · LPG / LPG	Gasoline · LPG / LPG	5	
	6	Operator type	Walkie, rider / stand, rider / seat		Rider / seat	Rider / seat	Rider / seat	Rider / seat	6	
	7	Tire type	front / rear		Pneumatic	Pneumatic	Pneumatic	Pneumatic	7	
	8	Wheels (x=driven)	Number	front / rear	2x / 2	2x / 2	2x / 2	2x / 2	8	
DIMENSIONS	9	Maximum fork height	h3 Standard lift height	mm	3000	3000	3000	3000	9	
	10	Free lift	h2 Standard free lift	mm	130	130	130	130	10	
	13	Fork size	s.e.l	mm	50x150x1070	50x150x1070	50x150x1070	50x150x1070	13	
		Max. Fork Spread		mm	1185	1185	1185	1185		
		Min. Fork Spread		mm	305	305	305	305		
	14	Tilt range	α / β Mast forward / backward		deg	6 / 12	6 / 12	6 / 12	6 / 12	14
	15	Overall measurement	L2	Length to fork face	mm	3130	3130	3130	3130	15
	16		B	Overall width	mm	1490	1490	1490	1490	16
	17		h1	Height mast fully lowered	mm	2145	2145	2145	2145	17
	18		h4	Height mast fully extended	mm	4100	4100	4100	4100	18
	19		h6	Height overhead guard	mm	2250	2250	2250	2250	19
	20		h7	Height of driver's seat	mm	1170	1170	1170	1170	20
	21	Turning radius (outside)	Wa		mm	2750	2750	2750	2750	21
	22	Load distance	X	From center of front axle	mm	560	560	560	560	22
23	Right angle stacking aisle	Ast pallets (L×W) 1200×800/1000×1200		mm	4710 / 4510	4710 / 4510	4710 / 4510	4710 / 4510	23	
PERFORMANCE	24	Speeds	Traveling	full load	km/h	18.0	23.5	18.0	22.0	24
	no load			km/h	19.5	24.5	18.0	22.0		
	Lifting		full load	mm/s	500	500	480	480	25	
			no load	mm/s	520	520	480	480		
	Lowering		full load	mm/s	500	500	500	500	26	
			no load	mm/s	500	500	500	500		
28	Max. drawbar pull	full load / no load 5min.		N	30200 / 24070	30200 / 24070	31400 / 27000	31400 / 27000	28	
29	Gradeability at 2km/h	full load / no load		tan θ (%)	24 / -	24 / -	25 / -	25 / -	29	
30	Max. gradeability	full load / no load		tan θ (%)	26 / 24	26 / 24	28 / 26	28 / 26	30	
WEIGHTS	32	Truck weight	no load		kg	5985	6015	6035	6065	32
	33	Weight distribution	full load		kg	8860 / 1125	8880 / 1135	8835 / 1200	8850 / 1215	33
	34		no load		kg	2540 / 3445	2560 / 3455	2515 / 3520	2530 / 3535	34
CHASSIS & WHEELS	35		Number.	front / rear	each	2 / 2	2 / 2	2 / 2	35	
	36	Tires	Size-front			300-15-18PR(I)	300-15-18PR(I)	300-15-18PR(I)	300-15-18PR(I)	36
	37		Size-rear			7.00-12-12PR(I)	7.00-12-12PR(I)	7.00-12-12PR(I)	7.00-12-12PR(I)	37
	38	Wheelbase	y		mm	2000	2000	2000	2000	38
	39	Tread	sprw 1/sprw 2	front / rear	mm	1180 / 1180	1180 / 1180	1180 / 1180	1180 / 1180	39
		Backrest height	Hb	top of backrest - upper of fork face	mm	1300	1300	1300	1300	
		Overhead guard clearance	Hh		mm	1045	1045	1045	1045	
	Counter weight height	Hc		mm	1275	1275	1275	1275		
40	Ground clearance	m1	Full load minimum mast	mm	145	145	145	145	40	
41		m2	Full load center of wheelbase	mm	225	225	225	225	41	
42	Service brake	Mechanical / hydraulic / electric / pneu			Hydraulic	Hydraulic	Hydraulic	Hydraulic	42	
43	Parking brake	Foot / hand / seat switch			Hand	Hand	Hand	Hand	43	
DRIVE LINE	45	Battery	Voltage / Capacity		V/AH	12 / 64	12 / 64	12 / 55	12 / 55	45
	49		manufacturer / type			NISSAN / TD42	NISSAN / TD42	NISSAN / TB45	NISSAN / TB45	49
	50	Internal Combustion engine	maximum engine rated power		KW	61	61	63.9	63.9	50
	51		rated rpm		rpm	2400	2400	2450	2450	51
	52		Number of cylinders / Displacement		/ cc	6 / 4169	6 / 4169	6 / 4478	6 / 4478	52
	55	Transmission	type			Automatic	Automatic	Automatic	Automatic	55
			speed			1 / 1	2 / 1	1 / 1	2 / 1	
57	Operating pressure	for attachment	(Side shift)	MPa	13.7	13.7	13.7	13.7	57	

1F4 4.5ton

Dimensions



Load Capacity Chart



No capacity reduction until 5000 mm height. Load capacities are computed with following conditions, a) Standard 2W Mast and b) Mast in vertical position.

Tire and Tread Specifications

Front Tire	Single	Double	Special double
Front Tire Size	300-15-18PR(I)	7.50-16-12PR(I)	8.25-15-12PR(I)
Overall Width mm	1490	1775	1970
Front Tread mm	1180	1310	1445

Ground Clearance

Under mast	mm	145
Under power unit	mm	170
Under frame	mm	225

Mast Specifications & Rated Capacities

W1F4A45U, W1F4F45U, J1F4A45DU, J1F4F45DU, J1F4A45LU, J1F4F45LU

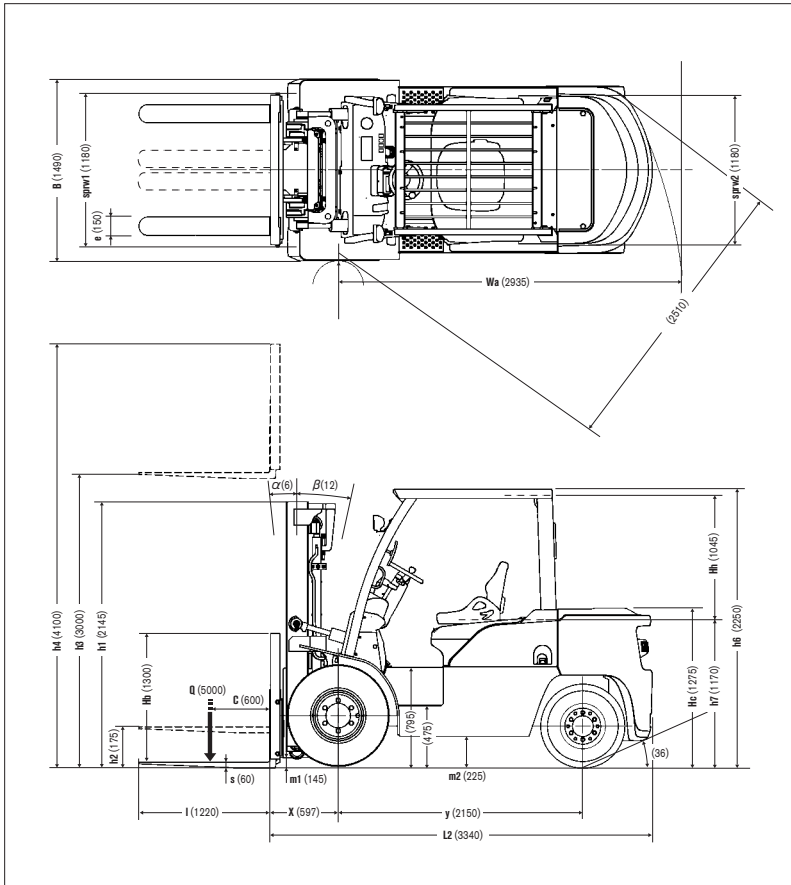
Mast type	Mast name	Max. fork Height mm	Overall height			Free lift		Front overhang mm	Tilt angle Forward/ Backward deg	Capacity	
			Fully lowered mm	Without backrest mm	With STD backrest mm	Without backrest mm	With STD backrest mm			Single tire Load center 600mm kg	Double tire Load center 600mm kg
Two stage (Wide view 2W)	2W300	3000	2145	3855	4100	175	175	587	6/12	4500	
	2W330	3300	2295	4155	4400				6/12	4500	
	2W350	3500	2430	4355	4600				6/12	4500	
	2W370	3700	2545	4555	4800				6/12	4500	
	2W400	4000	2745	4855	5100				6/12	4500	
	2W450	4500	2995	5355	5600				6/6	4500	
	2W500	5000	3245	5855	6100				6/6	4500	
Three stage (Full free 3F)	3F385	3850	2145	4735	4950	1320	1105	596	6/6	4500	
	3F430	4300	2295	5185	5400	1470	1255		6/6	4500	
	3F475	4750	2430	5635	5850	1605	1390		6/6	4500	
	3F515	5150	2545	6035	6250	1720	1505		6/6	4300	4500
	3F550	5500	2745	6385	6600	1920	1705		6/6	3200	4300
	3F600	6000	2995	6885	7100	2170	1955		6/6	2400	3900
	3F650	6500	3245	7385	7600	2420	2205		6/6	1800	2800
	3F700	7000	3495	7885	8100	2670	2455		6/6	1300	2100

Main Truck Specifications

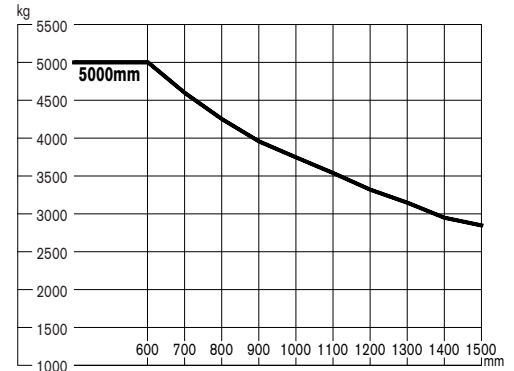
		Item			W1F4A45U	W1F4F45U	J1F4A45DU/LU	J1F4F45DU/LU		
SPECIFICATIONS	1	Manufacturer			Nissan	Nissan	Nissan	Nissan	1	
	2	Model			W1F4A45U	W1F4F45U	J1F4A45DU/LU	J1F4F45DU/LU	2	
	3	Load capacity	Q Load lifted	kg	4500	4500	4500	4500	3	
	4	Load center	C Distance	mm	600	600	600	600	4	
	5	Power unit	Battery, diesel, Gasoline, LP gas		Diesel	Diesel	Gasoline · LPG / LPG	Gasoline · LPG / LPG	5	
	6	Operator type	Walkie, rider / stand, rider / seat		Rider / seat	Rider / seat	Rider / seat	Rider / seat	6	
	7	Tire type	front / rear		Pneumatic	Pneumatic	Pneumatic	Pneumatic	7	
	8	Wheels (x=driven)	Number	front / rear	2x / 2	2x / 2	2x / 2	2x / 2	8	
DIMENSIONS	9	Maximum fork height	h3 Standard lift height	mm	3000	3000	3000	3000	9	
	10	Free lift	h2 Standard free lift	mm	175	175	175	175	10	
	13	Fork size	s.e.l	mm	55x150x1070	55x150x1070	55x150x1070	55x150x1070	13	
		Max. Fork Spread		mm	1185	1185	1185	1185		
		Min. Fork Spread		mm	305	305	305	305		
	14	Tilt range	α / β Mast forward / backward		deg	6 / 12	6 / 12	6 / 12	6 / 12	14
	15	Overall measurement	L2	Length to fork face	mm	3210	3210	3210	3210	15
	16		B	Overall width	mm	1490	1490	1490	1490	16
	17		h1	Height mast fully lowered	mm	2145	2145	2145	2145	17
	18		h4	Height mast fully extended	mm	4100	4100	4100	4100	18
	19		h6	Height overhead guard	mm	2250	2250	2250	2250	19
	20	h7	Height of driver's seat	mm	1170	1170	1170	1170	20	
	21	Turning radius (outside)	Wa		mm	2800	2800	2800	2800	21
	22	Load distance	X	From center of front axle	mm	587	587	587	587	22
23	Right angle stacking aisle	Ast pallets (L×W) 1200×800/1000×1200		mm	4785 / 4585	4785 / 4585	4785 / 4585	4785 / 4585	23	
PERFORMANCE	24	Speeds	Traveling	full load	km/h	18.0	23.5	18.0	22.0	24
	no load			km/h	19.5	24.5	18.0	22.0		
	Lifting		full load	mm/s	430	430	420	420	25	
			no load	mm/s	450	450	420	420		
	Lowering		full load	mm/s	450	450	450	450	26	
			no load	mm/s	450	450	450	450		
28	Max. drawbar pull	full load / no load 5min.		N	31050 / 24920	31050 / 24920	32300 / 27900	32300 / 27900	28	
29	Gradeability at 2km/h	full load / no load		tan θ (%)	21 / -	21 / -	22 / -	22 / -	29	
30	Max. gradeability	full load / no load		tan θ (%)	24 / 22	24 / 22	25 / 24	25 / 24	30	
WEIGHTS	32	Truck weight	no load		kg	6780	6810	6830	6860	32
	33	Weight distribution	full load		kg	9910 / 1370	9925 / 1385	9880 / 1450	9900 / 1460	33
	34		no load		kg	2740 / 4040	2755 / 4055	2710 / 4120	2725 / 4135	34
CHASSIS & WHEELS	35		Number.	front / rear	each	2 / 2	2 / 2	2 / 2	35	
	36	Tires	Size-front			300-15-18PR(I)	300-15-18PR(I)	300-15-18PR(I)	300-15-18PR(I)	36
	37		Size-rear			7.00-12-14PR(I)	7.00-12-14PR(I)	7.00-12-14PR(I)	7.00-12-14PR(I)	37
	38	Wheelbase	y		mm	2000	2000	2000	2000	38
	39	Tread	sprw 1/sprw 2	front / rear	mm	1180 / 1180	1180 / 1180	1180 / 1180	1180 / 1180	39
		Backrest height	Hb	top of backrest - upper of fork face	mm	1300	1300	1300	1300	
		Overhead guard clearance	Hh		mm	1045	1045	1045	1045	
	Counter weight height	Hc		mm	1275	1275	1275	1275		
40	Ground clearance	m1	Full load minimum mast	mm	145	145	145	145	40	
41		m2	Full load center of wheelbase	mm	225	225	225	225	41	
42	Service brake	Mechanical / hydraulic / electric / pneu			Hydraulic	Hydraulic	Hydraulic	Hydraulic	42	
43	Parking brake	Foot / hand / seat switch			Hand	Hand	Hand	Hand	43	
DRIVE LINE	45	Battery	Voltage / Capacity		V/AH	12 / 64	12 / 64	12 / 55	12 / 55	45
	49		manufacturer / type			NISSAN / TD42	NISSAN / TD42	NISSAN / TB45	NISSAN / TB45	49
	50	Internal Combustion engine	maximum engine rated power		KW	61	61	63.9	63.9	50
	51		rated rpm		rpm	2400	2400	2450	2450	51
	52		Number of cylinders / Displacement		/ cc	6 / 4169	6 / 4169	6 / 4478	6 / 4478	52
	55	Transmission	type			Automatic	Automatic	Automatic	Automatic	55
			speed			1 / 1	2 / 1	1 / 1	2 / 1	
57	Operating pressure	for attachment	(Side shift)	MPa	13.7	13.7	13.7	13.7	57	

1F4 5.0ton

Dimensions



Load Capacity Chart



No capacity reduction until 5000 mm height. Load capacities are computed with following conditions, a) Standard 2W Mast and b) Mast in vertical position.

Tire and Tread Specifications

Front Tire	Single	Double	Special double
Front Tire Size	300-15-18PR(I)	7.50-16-12PR(I)	8.25-15-12PR(I)
Overall Width mm	1490	1775	1970
Front Tread mm	1180	1310	1445

Ground Clearance

Under mast	mm	145
Under power unit	mm	170
Under frame	mm	225

Mast Specifications & Rated Capacities

WG1F4A50U, WG1F4F50U, JG1F4A50DU, JG1F4F50DU, JG1F4A50LU, JG1F4F50LU

Mast type	Mast name	Max. fork Height mm	Overall height			Free lift		Front overhang mm	Tilt angle Forward/ Backward deg	Capacity	
			Fully lowered mm	Without backrest mm	With STD backrest mm	Without backrest mm	With STD backrest mm			Single tire Load center 600mm kg	Double tire Load center 600mm kg
Two stage (Wide view 2W)	2W300	3000	2145	3885	4300	175	175	597	6/12	5000	
	2W330	3300	2295	4185	4600				6/12	5000	
	2W350	3500	2430	4385	4800				6/12	5000	
	2W370	3700	2545	4585	5000				6/12	5000	
	2W400	4000	2745	4885	5300				6/12	5000	
	2W450	4500	2995	5385	5800				6/6	5000	
	2W500	5000	3245	5885	6300				6/6	5000	
Three stage (Full free 3F)	3F385	3850	2145	4735	5150	1320	905	606	6/6	5000	
	3F430	4300	2295	5185	5600	1470	1055		6/6	5000	
	3F475	4750	2430	5635	6050	1605	1190		6/6	5000	
	3F515	5150	2545	6035	6450	1720	1305		6/6	4800	5000
	3F550	5500	2745	6385	6800	1920	1505		6/6	3200	4700
	3F600	6000	2995	6885	7300	2170	1755		6/6	2400	4100
	3F650	6500	3245	7385	7800	2420	2005		6/6	1800	2800
	3F700	7000	3495	7885	8300	2670	2255		6/6	1300	2100

Main Truck Specifications

Item				WG1F4A50U	WG1F4F50U	JG1F4A50DU/LU	JG1F4F50DU/LU			
SPECIFICATIONS	1	Manufacturer		Nissan	Nissan	Nissan	Nissan	1		
	2	Model		WG1F4A50U	WG1F4F50U	JG1F4A50DU/LU	JG1F4F50DU/LU	2		
	3	Load capacity	Q Load lifted	kg	5000	5000	5000	5000	3	
	4	Load center	C Distance	mm	600	600	600	600	4	
	5	Power unit	Battery, diesel, Gasoline, LP gas		Diesel	Diesel	Gasoline · LPG / LPG	Gasoline · LPG / LPG	5	
	6	Operator type	Walkie, rider / stand, rider / seat		Rider / seat	Rider / seat	Rider / seat	Rider / seat	6	
	7	Tire type	front / rear		Pneumatic	Pneumatic	Pneumatic	Pneumatic	7	
	8	Wheels (x=driven)	Number	front / rear	2x / 2	2x / 2	2x / 2	2x / 2	8	
DIMENSIONS	9	Maximum fork height	h3 Standard lift height	mm	3000	3000	3000	3000	9	
	10	Free lift	h2 Standard free lift	mm	175	175	175	175	10	
	13	Fork size	s.e.l	mm	60x150x1220	60x150x1220	60x150x1220	60x150x1220	13	
		Max. Fork Spread		mm	1185	1185	1185	1185		
		Min. Fork Spread		mm	305	305	305	305		
	14	Tilt range	α / β Mast forward / backward	deg	6 / 12	6 / 12	6 / 12	6 / 12	14	
	15	Overall measurement	L2 Length to fork face	mm	3340	3340	3340	3340	15	
	16		B Overall width	mm	1490	1490	1490	1490	16	
	17		h1 Height mast fully lowered	mm	2145	2145	2145	2145	17	
	18		h4 Height mast fully extended	mm	4100	4100	4100	4100	18	
	19		h6 Height overhead guard	mm	2250	2250	2250	2250	19	
	20		h7 Height of driver's seat	mm	1170	1170	1170	1170	20	
	21	Turning radius (outside)	Wa	mm	2935	2935	2935	2935	21	
	22	Load distance	X From center of front axle	mm	597	597	597	597	22	
23	Right angle stacking aisle	Ast pallets (L×W) 1200×800/1000×1200		mm	4935 / 4735	4935 / 4735	4935 / 4735	4935 / 4735	23	
PERFORMANCE	24	Speeds	Traveling	full load	km/h	18.0	23.5	18.0	22.0	24
	no load			km/h	19.5	24.5	18.0	22.0		
	Lifting		full load	mm/s	420	420	420	420	25	
			no load	mm/s	440	440	420	420		
	Lowering		full load	mm/s	450	450	450	450	26	
			no load	mm/s	450	450	450	450		
28	Max. drawbar pull	full load / no load	5min.	N	31900 / 25770	31900 / 25770	33200 / 28800	33200 / 28800	28	
29	Gradeability at 2km/h	full load / no load		tan θ (%)	19 / -	19 / -	20 / -	20 / -	29	
30	Max. gradeability	full load / no load		tan θ (%)	22 / 20	22 / 20	23 / 22	23 / 22	30	
WEIGHTS	32	Truck weight	no load	kg	7325	7355	7330	7360	32	
	33	Weight distribution	full load	front / rear	kg	10775 / 1550	10795 / 1560	10775 / 1555	10790 / 1570	33
	34		no load	front / rear	kg	2995 / 4330	3010 / 4345	2990 / 4340	3010 / 4350	34
	35		Number.	front / rear	each	2 / 2	2 / 2	2 / 2	35	
CHASSIS & WHEELS	36	Tires	Size-front			300-15-18PR(I)	300-15-18PR(I)	300-15-18PR(I)	300-15-18PR(I)	36
	37		Size-rear			7.00-12-14PR(I)	7.00-12-14PR(I)	7.00-12-14PR(I)	7.00-12-14PR(I)	37
	38	Wheelbase	y	mm	2150	2150	2150	2150	38	
39	Tread	sprw 1/sprw 2	front / rear	mm	1180 / 1180	1180 / 1180	1180 / 1180	1180 / 1180	39	
	Backrest height	Hb top of backrest - upper of fork face		mm	1300	1300	1300	1300		
	Overhead guard clearance	Hh		mm	1045	1045	1045	1045		
	Counter weight height	Hc		mm	1275	1275	1275	1275		
40	Ground clearance	m1 Full load minimum mast		mm	145	145	145	145	40	
41		m2 Full load center of wheelbase		mm	225	225	225	225	41	
42	Service brake	Mechanical / hydraulic / electric / pneu			Hydraulic	Hydraulic	Hydraulic	Hydraulic	42	
43	Parking brake	Foot / hand / seat switch			Hand	Hand	Hand	Hand	43	
DRIVE LINE	45	Battery	Voltage / Capacity	V/AH	12 / 64	12 / 64	12 / 55	12 / 55	45	
	49		manufacturer / type		NISSAN / TD42	NISSAN / TD42	NISSAN / TB45	NISSAN / TB45	49	
	50	Internal Combustion engine	maximum engine rated power	KW	61	61	63.9	63.9	50	
	51		rated rpm	rpm	2400	2400	2450	2450	51	
	52		Number of cylinders / Displacement	/ cc	6 / 4169	6 / 4169	6 / 4478	6 / 4478	52	
	55	Transmission	type			Automatic	Automatic	Automatic	Automatic	55
			speed			1 / 1	2 / 1	1 / 1	2 / 1	
57	Operating pressure	for attachment (Side shift)	MPa	13.7	13.7	13.7	13.7	57		

1F4

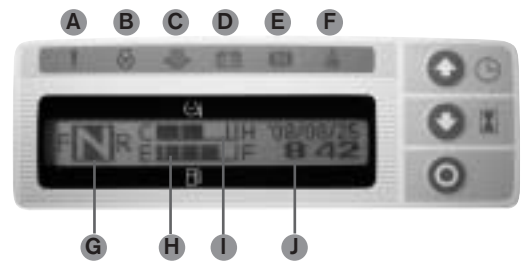


The new 1F4 is tough-built with reinforced components and super shielding against dust, dirt and other elements. Add safety and comfort, from the super-wide view to the front to a range of smart features to increase operator comfort and safety, making long, fatigue-free hours of operation powerful. All this combines to provide high productivity, and reduced cost throughout the forklift's lifecycle.

Multifunctional LCD Meter

The large, easy-to-see meter lets the operator check on all aspects of the forklift's operational status at a single glance.

- | | |
|--|--|
| A Multipurpose warning | G Directional indicator |
| B Glow plug indicator (Diesel)
Check engine warning (Gasoline/LPG) | H Fuel gauge |
| C Oil pressure warning | I Water temperature gauge |
| D Charge warning | J Multifunction display: hour meter, clock/calendar,
speedometer, service reminder, warning indicators,
error codes |
| E Brake warning | |
| F Seatbelt warning | |



*Air cleaner clogging warning is available as an option.

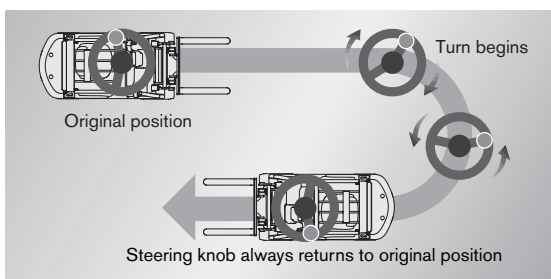


Easy Access

A wide, non-skid steel step and ample legroom provides easy step in/step out access—and maximum seating comfort.

Smooth-run System (Option)

Two different types of accumulators absorb the shocks transmitted from the road surface making both load handling and travel smoother. This offers extra benefit when working with delicate loads on rough surfaces.



Steering Synchronizer (Option)

A sensor checks the steering and tire angles so the steering knob always returns to original position. This function helps ensure the accurate and consistent coordination of steering wheel and tires, for precise steering.

Option Availability for 1F4 Series

Standard Option

	Item	J(G)1F4 35-50 Gasoline / LPG		W(G)1F4
		Dual	LPG	35-50 Diesel
Truck management	VCM			
Powertrain	Powertrain floating			
	ECCS			—
	Speed Selector			—
	Power / Eco Selector			—
	Radiator screen			
	3-way catalytic muffler			—
Air cleaner	Overhead exhaust muffler			
	Cyclone air cleaner			
Special application	Donaldson-type air cleaner			
	Rustproof specification			
	Dustproof specification			
	Dust cover			
LPG system (Dual fuel) Swing-down	Low noise specification			
	Cold area specification			
	Tank + Bracket + Hose			—
	Bracket + Hose			—
Instruments	Bracket only		—	—
	Without Tank + Bracket + Hose		—	—
	Multifunctional LCD Meter *			
	Directional indicator, Fuel & water temperature gauges, Multifunction display (hour meter, clock/ calendar, speedometer, service reminder, warning indicators), PIN Access, Self-diagnosis System			
Warning buzzer	Back-up buzzer			
	Parking brake warning buzzer			
Light	Head lights (without guard)			
	Rear combination lamps			
	Rear working light			
	Rotating light (yellow)			
Tires	J-lug tires (Textile)			
	Solid tires			
	Double tires			
Body	Rain guard (Vinyl type)			
	Rain guard (Resin type)			
	Canvas cabin			
	Rearview mirrors (both sides)			
	Windshield			
Seat	Restraint seat with suspension			
	Without Seat			
Mast	2W mast			
	3F mast			
	Without mast			
	Tilt cylinder cover			
	Tilt cylinder boot			
	Tilt Leveling System			
Steering system	Small-diameter steering wheel with tilt adjustment			
	Steering Synchronizer			
Hydraulic control system	2 spool valve			
	3 spool valve			
	4 spool valve			
	Single control lever			
	Double control lever			
	3 spool piping to carriage			
	4 spool piping to carriage			
Smooth-run System				
Carriage & Backrest	Wide carriage			
	ANSI type high backrest			
	ANSI type Wide and high backrest			
	Without backrest			
Fork	Long forks			
	Extension forks			
	Without forks			
Tool kit	Tool kit			
	Tool kit with jack			
Label	English			
	German			
	French			
	Spanish			

*Air cleaner clogging warning is available as an option.

Nissan Full Lineup That Exceeds All Expectations

