

Specifications

Models	GL™-8		GL™-10		GL™-12	
Measurements	Metric	US	Metric	US	Metric	US
A Height - stowed ^{1,2,3}	1.72 m	5 ft 7.5 in	2.00 m	6 ft 6.5 in	2.31 m	7 ft 7 in
maximum forks down	2.51 m	8 ft 3 in	3.01 m	9 ft 10.5 in	3.66 m	12 ft
maximum forks up	3.06 m	10 ft 0.5 in	3.56 m	11 ft 8 in	4.20 m	13 ft 9.5 in
minimum forks down	0.09 m	3.5 in	0.05 m	2 in	0.05 m	2 in
STANDARD BASE						
B Length - stowed	0.30 m	1 ft	-	-	-	-
operating	0.88 m	2 ft 10.75 in	-	-	-	-
C Width: outside	0.63 m	2 ft 0.75 in	-	-	-	-
Weight - standard caster options	60 kg	132 lbs	-	-	-	-
pneumatic caster options	62 kg	136 lbs	-	-	-	-
STRADDLE BASE						
Length - stowed	0.49 m	1 ft 7.25 in	0.49 m	1 ft 7.25 in	0.49 m	1 ft 7.25 in
operating	1.09 m	3 ft 7 in	1.09 m	3 ft 7 in	1.09 m	3 ft 7 in
Width - stowed ⁴	0.73 m	2 ft 4.75 in	0.73 m	2 ft 4.75 in	0.73 m	2 ft 4.75 in
maximum ⁴	1.10 m	3 ft 7.5 in	1.10 m	3 ft 7.5 in	1.10 m	3 ft 7.5 in
maximum inside	0.91 m	3 ft	0.91 m	3 ft	0.91 m	3 ft
Weight - standard caster options	66 kg	145 lbs	68 kg	149 lbs	70 kg	154 lbs
pneumatic caster options	68 kg	149 lbs	69 kg	153 lbs	72 kg	158 lbs
4-point caster option	72 kg	158 lbs	73 kg	162 lbs	76 kg	167 lbs
COUNTERWEIGHT BASE						
Length - operating	0.72 m	2 ft 4.5 in	0.72 m	2 ft 4.5 in	-	-
Width - stowed ⁴	0.73 m	2 ft 4.75 in	0.73 m	2 ft 4.75 in	-	-
maximum ⁴	1.10 m	3 ft 7.5 in	1.10 m	3 ft 7.5 in	-	-
maximum inside	0.91 m	3 ft	0.91 m	3 ft	-	-
Weight - standard caster options	186 kg	411 lbs	196 kg	433 lbs	-	-

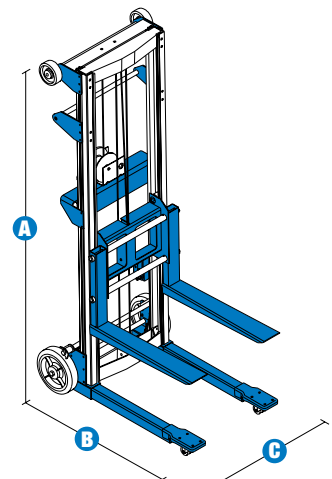
Productivity

Load height minimum	0.09 m	3.5 in	0.09 m	3.5 in	0.09 m	3.5 in
Ground clearance - centre ^{1, 2, 3}	0.02 m	0.75 in	0.02 m	0.75 in	0.02 m	0.75 in
Average cranks - standard winch	38/m	11.5/ft	38/m	11.5/ft	38/m	11.5/ft
Fork length	0.57 m	1 ft 10.5 in	0.57 m	1 ft 10.5 in	0.57 m	1 ft 10.5 in
Fork width	0.52 m	1 ft 8.5 in	0.52 m	1 ft 8.5 in	0.52 m	1 ft 8.5 in
Load platform length	0.58 m	1 ft 11 in	0.58 m	1 ft 11 in	0.58 m	1 ft 11 in
Load platform width	0.56 m	1 ft 10 in	0.56 m	1 ft 10 in	0.56 m	1 ft 10 in
Load capacity at 12 in (30 cm) load centre	181 kg	400 lbs	159 kg	350 lbs	159 kg	350 lbs
Boom length	0.51 m	20.19 in	0.51 m	20.19 in	0.51 m	20.19 in
Boom attachment points	34 / 48 cm	13.25 / 19 in	34 / 48 cm	13.25 / 19 in	34 / 48 cm	13.25 / 19 in

Power

Power source

reversible standard winch



¹ The 10 in pneumatic rear wheel option will add 2.5 cm (1 in) to these specifications.

² The counterweight base will add 2.5 cm (1 in) to these specifications.

³ The 4-point caster option B will add 2.5 cm (1 in) to these specifications.

⁴ Outside dimensions.

Features

Standard Features

Measurements

GL™-8

- 3.06 m (10 ft 0.5 in) maximum lift height
- Up to 181 kg (400 lbs) load capacity

GL™-10

- 3.56 m (11 ft 8 in) maximum lift height
- Up to 159 kg (350 lbs) load capacity

GL™-12

- 4.20 m (13 ft 9.5 in) maximum lift height
- Up to 159 kg (350 lbs) load capacity

Productivity

- Standard forks
- Portable and compact design
- Lightweight durable aluminum construction
- Single door access
- Durable standard steel forks
- 20 cm (8 in) non-marking rear wheels and 5 cm (2 in) dual wheel front swivel casters (standard and straddle base only)
- 12 cm (5 in) rear swivel casters with side brakes and 10 cm (4 in) fixed front wheels (counterweight base only)
- Loads easily into a ute for transporting
- Hold-down mechanism secures carriage during transport

Power

- Standard winch
- Reversible winch handle for easy storage

Options & Accessories

Productivity

- Counterweight base (GL™-8, -10)
- Load platform
- Boom
- Aluminum ladder (standard and straddle base only)
- Pneumatic rear tyres (standard and straddle base only)
- Foot-release brake (standard and straddle base only)
- Caster options
- Straddle base

Options

- Caster option kit required for use with Straddle bases



Genie Australia – Toll free number 1800 788 633

Brisbane HEAD OFFICE

33 Kimberley Street
Darra QLD 4076

Sydney

74 Glendenning Road
Glendenning NSW 2761

Melbourne

374 Hammond Road
Dandenong VIC 3175

Adelaide

16-18 Nixon Road
Wingfield SA 5013

Perth

126 Sheffield Road
Welshpool WA 6106

Genie United States | Distributed By:

18340 NE 76th Street
P.O. Box 97030
Redmond, Washington
98073-9730