

Specifications

| Models | GL™-8 | | GL™-10 | | GL™-12 | |
|---|--------|---------------|--------|--------------|--------|--------------|
| Measurements | Metric | US | Metric | US | Metric | US |
| A Height - stowed ^{1,2,3} | 1.72 m | 5 ft 7.5 in | 2.00 m | 6 ft 6.5 in | 2.31 m | 7 ft 7 in |
| maximum forks down | 2.51 m | 8 ft 3 in | 3.01 m | 9 ft 10.5 in | 3.66 m | 12 ft |
| maximum forks up | 3.06 m | 10 ft 0.5 in | 3.56 m | 11 ft 8 in | 4.20 m | 13 ft 9.5 in |
| minimum forks down | 0.09 m | 3.5 in | 0.05 m | 2 in | 0.05 m | 2 in |
| STANDARD BASE | | | | | | |
| B Length - stowed | 0.30 m | 1 ft | - | - | - | - |
| operating | 0.88 m | 2 ft 10.75 in | - | - | - | - |
| C Width: outside | 0.63 m | 2 ft 0.75 in | - | - | - | - |
| Weight - standard caster options | 60 kg | 132 lbs | - | - | - | - |
| pneumatic caster options | 62 kg | 136 lbs | - | - | - | - |
| STRADDLE BASE | | | | | | |
| Length - stowed | 0.49 m | 1 ft 7.25 in | 0.49 m | 1 ft 7.25 in | 0.49 m | 1 ft 7.25 in |
| operating | 1.09 m | 3 ft 7 in | 1.09 m | 3 ft 7 in | 1.09 m | 3 ft 7 in |
| Width - stowed ⁴ | 0.73 m | 2 ft 4.75 in | 0.73 m | 2 ft 4.75 in | 0.73 m | 2 ft 4.75 in |
| maximum ⁴ | 1.10 m | 3 ft 7.5 in | 1.10 m | 3 ft 7.5 in | 1.10 m | 3 ft 7.5 in |
| maximum inside | 0.91 m | 3 ft | 0.91 m | 3 ft | 0.91 m | 3 ft |
| Weight - standard caster options | 66 kg | 145 lbs | 68 kg | 149 lbs | 70 kg | 154 lbs |
| pneumatic caster options | 68 kg | 149 lbs | 69 kg | 153 lbs | 72 kg | 158 lbs |
| 4-point caster option | 72 kg | 158 lbs | 73 kg | 162 lbs | 76 kg | 167 lbs |
| COUNTERWEIGHT BASE | | | | | | |
| Length - operating | 0.72 m | 2 ft 4.5 in | 0.72 m | 2 ft 4.5 in | - | - |
| Width - stowed ⁴ | 0.73 m | 2 ft 4.75 in | 0.73 m | 2 ft 4.75 in | - | - |
| maximum ⁴ | 1.10 m | 3 ft 7.5 in | 1.10 m | 3 ft 7.5 in | - | - |
| maximum inside | 0.91 m | 3 ft | 0.91 m | 3 ft | - | - |
| Weight - standard caster options | 186 kg | 411 lbs | 196 kg | 433 lbs | - | - |

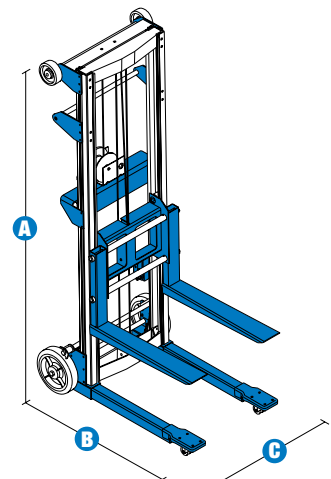
Productivity

| | | | | | | |
|--|------------|---------------|------------|---------------|------------|---------------|
| Load height minimum | 0.09 m | 3.5 in | 0.09 m | 3.5 in | 0.09 m | 3.5 in |
| Ground clearance - centre ^{1, 2, 3} | 0.02 m | 0.75 in | 0.02 m | 0.75 in | 0.02 m | 0.75 in |
| Average cranks - standard winch | 38/m | 11.5/ft | 38/m | 11.5/ft | 38/m | 11.5/ft |
| Fork length | 0.57 m | 1 ft 10.5 in | 0.57 m | 1 ft 10.5 in | 0.57 m | 1 ft 10.5 in |
| Fork width | 0.52 m | 1 ft 8.5 in | 0.52 m | 1 ft 8.5 in | 0.52 m | 1 ft 8.5 in |
| Load platform length | 0.58 m | 1 ft 11 in | 0.58 m | 1 ft 11 in | 0.58 m | 1 ft 11 in |
| Load platform width | 0.56 m | 1 ft 10 in | 0.56 m | 1 ft 10 in | 0.56 m | 1 ft 10 in |
| Load capacity at 12 in (30 cm) load centre | 181 kg | 400 lbs | 159 kg | 350 lbs | 159 kg | 350 lbs |
| Boom length | 0.51 m | 20.19 in | 0.51 m | 20.19 in | 0.51 m | 20.19 in |
| Boom attachment points | 34 / 48 cm | 13.25 / 19 in | 34 / 48 cm | 13.25 / 19 in | 34 / 48 cm | 13.25 / 19 in |

Power

Power source

reversible standard winch



¹ The 10 in pneumatic rear wheel option will add 2.5 cm (1 in) to these specifications.

² The counterweight base will add 2.5 cm (1 in) to these specifications.

³ The 4-point caster option B will add 2.5 cm (1 in) to these specifications.

⁴ Outside dimensions.

Features

Standard Features

Measurements

GL™-8

- 3.06 m (10 ft 0.5 in) maximum lift height
- Up to 181 kg (400 lbs) load capacity

GL™-10

- 3.56 m (11 ft 8 in) maximum lift height
- Up to 159 kg (350 lbs) load capacity

GL™-12

- 4.20 m (13 ft 9.5 in) maximum lift height
- Up to 159 kg (350 lbs) load capacity

Productivity

- Standard forks
- Portable and compact design
- Lightweight durable aluminum construction
- Single door access
- Durable standard steel forks
- 20 cm (8 in) non-marking rear wheels and 5 cm (2 in) dual wheel front swivel casters (standard and straddle base only)
- 12 cm (5 in) rear swivel casters with side brakes and 10 cm (4 in) fixed front wheels (counterweight base only)
- Loads easily into a ute for transporting
- Hold-down mechanism secures carriage during transport

Power

- Standard winch
- Reversible winch handle for easy storage

Options & Accessories

Productivity

- Counterweight base (GL™-8, -10)
- Load platform
- Boom
- Aluminum ladder (standard and straddle base only)
- Pneumatic rear tyres (standard and straddle base only)
- Foot-release brake (standard and straddle base only)
- Caster options
- Straddle base

Options

- Caster option kit required for use with Straddle bases



Genie Australia – Toll free number 1800 788 633

Brisbane HEAD OFFICE

33 Kimberley Street
Darra QLD 4076

Sydney

74 Glendenning Road
Glendenning NSW 2761

Melbourne

374 Hammond Road
Dandenong VIC 3175

Adelaide

16-18 Nixon Road
Wingfield SA 5013

Perth

126 Sheffield Road
Welshpool WA 6106

Genie United States | Distributed By:

18340 NE 76th Street
P.O. Box 97030
Redmond, Washington
98073-9730

Effective Date: September, 2014. Product specifications and prices are subject to change without notice or obligation. The photographs and/or drawings in this document are for illustrative purposes only. Refer to the appropriate Operator's Manual for instructions on the proper use of this equipment. Failure to follow the appropriate Operator's Manual when using our equipment or to otherwise act irresponsibly may result in serious injury or death. The only warranty applicable to our equipment is the standard written warranty applicable to the particular product and sale and we make no other warranty, express or implied. Products and services listed may be trademarks, service marks or trade names of Terex Corporation and/or their subsidiaries in the USA and many other countries. Genie is a registered trademark of Terex South Dakota, Inc. © 2013 Terex Corporation.